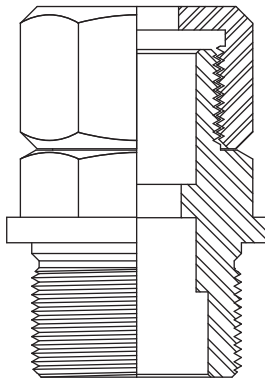


# ORIFICE FITTING COMPONENTS

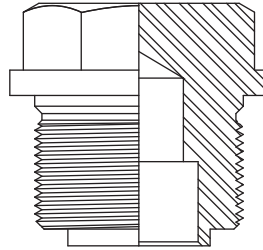
## Stuffing Box with Nut



1-9/16" - 16 UNS

MATERIAL	PART NO.	PLATING
1215	ASB1562	Zinc

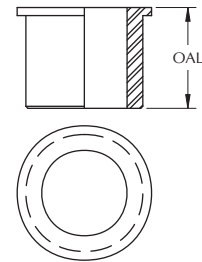
## Bearing Plug



1-9/16" - 16 UNS

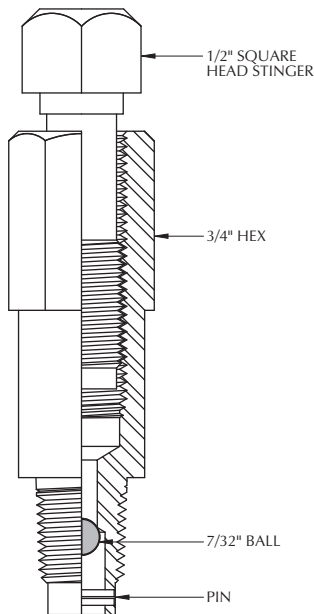
MATERIAL	PART NO.	PLATING
1215	BP1562	Zinc

## Packing (Gland) Retainer



DESCRIPTION	PART NO.	MATERIAL
5/8" I.D. x 1/4" OAL	PG625X25-2	316 SS
5/8" I.D. x 3/4" OAL	PG625X75-2	316 SS

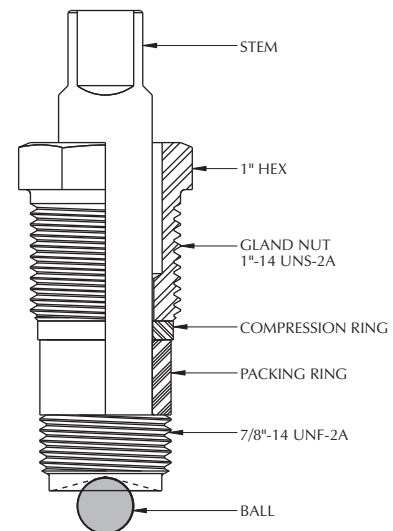
## Injection Fitting



INJECTION FITTING - "GREASE GUN" 1/4" NPT

MATERIAL	PART NO.	PLATING	HEAT TREATMENT	BALL
1215	PIF14-D	Zinc	- - -	**CA
316 SS	PIF14-D-2	- - -	Annealed (NACE)	K-Monel®
4140	PIF14-D-3	Zinc	Rc 22 Max (NACE)	K-Monel®

## Equalizer Assembly



**SOLD AS AN ASSEMBLY ONLY.**  
**COMPONENTS NOT READILY AVAILABLE FOR INDIVIDUAL SALE.**

THREAD SIZE	PART NO.	STEM	COMPRESSION RING	PACKING RING	GLAND NUT	BALL
7/8" - 14 UNF	EQ78-2	316 SS	316 SS	Teflon®	1215	440 SS
	EQ78-SP-2	316 SS	316 SS	Teflon®	316 SS	440 SS

PLEASE CONSULT FACTORY FOR PRODUCT AVAILABILITIES. \*\*CA=AISI 52100 Chrome Alloy ~ Other materials, plating and configurations available upon request.

Willem Schoutenstraat 11 | 7825VV Emmen Nederland | T. +31 (0)591 676706 | F. +31 (0)591 676596 | E. info@jdtechniek.nl  
www.jdtechniek.nl | KvK 04086269 | BTW NL8179.27.803.B01 | IBAN NL27 RABO 0118 3377 26

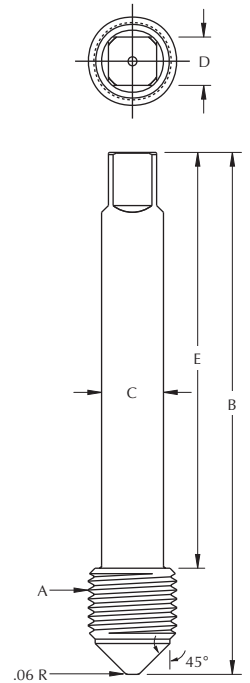
# WELLHEAD AND TREE COMPONENTS

Other materials, plating and configurations available upon request. Please consult factory for product availabilities.

**NOTE:** Standard Lockscrews are produced from AISI 4140 material and heat treated to meet the requirements of ASTM A193 Grade B-7. Plating is Zinc.

## Lockscrews

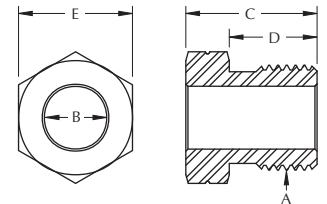
A THREAD	B LENGTH	C DIAMETER	D FLATS	E LENGTH	PART NO.	STANDARD GLAND
1-1/2"-8 UN	10-1/8"	1-1/8"	1"	7-5/16"	LP19S12-80	PG16S14-10
1-1/2"-8 UN	12"	1-1/8"	1"	9-5/32"	LP20S12-80	PG16S14-10
1-1/4"-12 UNF	6-7/8"	1"	3/4"	5-1/2"	LP14S10-80	PG13S13-10
1-1/4"-12 UNF	7-5/8"	1"	3/4"	6-13/64"	LP15S10-80	PG13S13-10
1-1/4"-12 UNF	9"	1"	3/4"	7-9/16"	LP16S10-80	PG13S13-10
1-1/4"-12 UNF	10"	1"	3/4"	8-9/16"	LP17S10-80	PG13S13-10
1-1/4"-12 UNF	11"	1"	3/4"	9-9/16"	LP18S10-80	PG13S13-10
1-1/4"-12 UNF	12-1/4"	1"	3/4"	10-15/16"	LP22S10-80	PG13S13-10
1-1/4"-12 UNF	13-1/2"	1"	3/4"	12-1/8"	LP25S10-80	PG13S13-10
1-1/4"-12 UNF	7"	7/8"	11/16"	5-5/8"	LP23S10-80	PG13S13-10
1-1/4"-7 UNC	7-1/4"	1"	3/4"	5-3/4"	LP06S10-80	PG15S14-10
1-1/4"-7 UNC	9-1/2"	1"	3/4"	8-1/16"	LP07S10-80	PG15S14-10
1-1/4"-7 UNC	10-1/2"	1"	3/4"	8-9/16"	LP08S10-80	PG15S14-10
1-1/4"-7 UNC	7"	7/8"	3/4"	5-1/2"	LP05S10-80	PG12S12-10
1-1/4"-7 UNC	9-3/4"	7/8"	11/16"	8-1/4"	LP26S10-80	PG12S12-10
1-1/4"-8 UN	6-3/4"	7/8"	11/16"	5-1/4"	LP09S10-80	PG11S12-10
1-1/4"-8 UN	7-3/8"	7/8"	11/16"	5-7/8"	LP10S10-80	PG11S12-10
1-1/4"-8 UN	8-3/4"	7/8"	11/16"	7-1/4"	LP11S10-80	PG11S12-10
1-1/4"-8 UN	10-1/8"	7/8"	11/16"	8-3/16"	LP12S10-80	N/A
1-1/4"-8 UN	11-1/2"	7/8"	11/16"	10-1/16"	LP13S10-80	PG11S12-10
1-1/8"-8 UN	7-1/4"	13/16"	11/16"	5-29/32"	LP01S9-80	PG14S12-10
1-1/8"-8 UN	8-3/4"	13/16"	11/16"	7-5/16"	LP02S9-80	PG14S12-10
1-1/8"-8 UN	9-3/4"	13/16"	11/16"	7-3/4"	LP03S9-80	PG14S12-10



**NOTE:** Standard Glands are produced from 1215 material and Zinc plated.

## Packing Glands; Type "A"

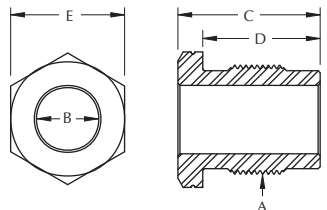
A THREAD	B BORE	C LENGTH	D LENGTH	E HEX	PART NO.	JUNK RING REQUIRED
1-1/2"-6 UNC	57/64"	1-1/4"	7/8"	1-5/8"	PG10S12-10	JR11-10
1-1/2"-8 UN	57/64"	1-7/8"	1-1/4"	1-5/8"	PG11S12-10	JR12-10 or JR11-10
1-1/2"-10 UN	57/64"	1-7/8"	1-1/4"	1-5/8"	PG12S12-10	JR11-10
1-3/4"-8 UN	1-5/32"	2-3/4"	1-5/16"	2"	PG16S14-10	JR14-10



**NOTE:** Standard Glands are produced from 1215 material and Zinc plated.

## Packing Glands; Type "B"

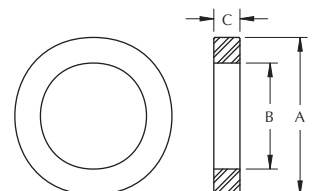
A THREAD	B BORE	C LENGTH	D LENGTH	E HEX	PART NO.	JUNK RING REQUIRED
1-5/8"-12 UN	1-1/32"	2-1/8"	1-3/4"	1-3/4"	PG13S13-10	JR10-10
1-1/2"-12 UNF	53/64"	2-11/16"	1-15/16"	1-1/2"	PG14S12-10	JR12-10 or JR20-10
1-3/4"-12 UN	1-1/64"	2-11/16"	1-15/16"	1-3/4"	PG15S14-10	JR10-10



**NOTE:** Standard Junk Rings are produced from 1215 material and Zinc plated.

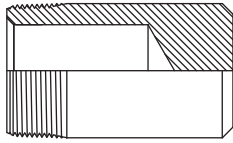
## Junk Rings

A O.D.	B I.D.	C THICKNESS	PART NO.
1-1/2"	1-1/64"	1/4"	JR10-10
1-1/4"	57/64"	1/4"	JR11-10
1-3/8"	57/64"	1/4"	JR12-10
1-5/8"	1-9/64"	1/4"	JR14-10
1-3/8"	53/64"	1/4"	JR20-10



# WELLHEAD AND TREE COMPONENTS & PLUGS

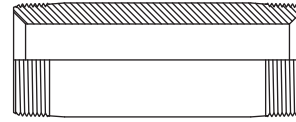
## Bull Plugs



THREAD TYPE AND SIZE	MATERIAL	PART NO.	OAL	I.D.
2" LP Plain	1040/1045	C3-009-40	4"	1-5/8"
2" LP - 1/2" NPT	1040/1045	C3-010-40	4"	1-5/8"
2-3/8" - EUE-8RD - 1/2" NPT	1040/1045	C3-012-40	5"	1-1/2"
2-7/8" - EUE - 8RD - 1/2" NPT	1040/1045	C3-014-40	5-1/2"	1-3/4"

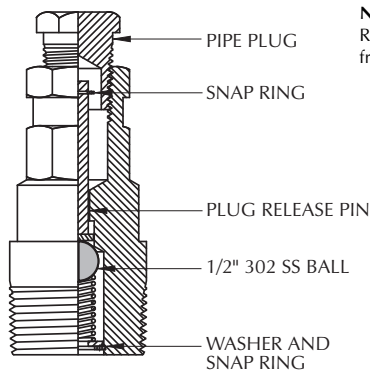
API MONOGRAMMABLE VERSIONS AVAILABLE

## Nipples



THREAD SIZE	MATERIAL	PART NO.	OAL	TUBE O.D.	TUBE I.D.
2" LP	A106 Grade B XXH Seamless Pipe	C4-002-40	6"	2.40"	1-1/2"
	A106 Grade B XXH Seamless Pipe	C4-003-40	8"	2.40"	1-1/2"

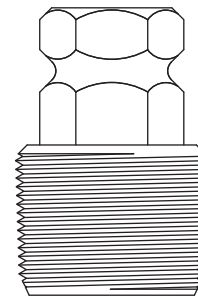
## Valve Removal Plugs - Bleeder



**NOTE:** Bleeder-Valve Removal Plugs are produced from 4140 material.

THREAD SIZE	PART NO.	OAL	HEX	PLATING	HEAT TREATMENT
1-1/4" LP	VR13N10-80	3-1/2"	1-1/4"	Zinc	Rc 22 Max (NACE)
1-1/2" LP	VR13N12-80	3-1/2"	1-1/4"	Zinc	Rc 22 Max (NACE)

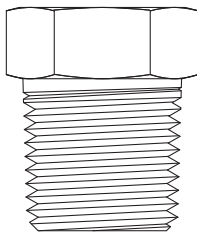
## Valve Removal Plugs - Solid



THREAD SIZE	MATERIAL	PART NO.	OAL	HEX	PLATING	HEAT TREATMENT
1-1/4" LP	4140	VR10N10-80	2-7/8"	1-1/4"	Zinc	Rc 22 Max (NACE)
1-1/2" LP	4130	VR10N12-70	2-7/8"	1-1/4"	Zinc	Rc 22 Max (NACE)
	4140	VR10N12-80				
1-1/4" LP	4130	VR11N10-70	2-7/8"	1-1/8"	Zinc	Rc 22 Max (NACE)
	4140	VR11N10-80				
1-1/4" LP	4140	VR12N10-80	3-1/2"	1-1/4"	Zinc	Rc 22 Max (NACE)
1-1/2" LP	4140	VR12N12-80	3-1/2"	1-1/4"	Zinc	Rc 22 Max (NACE)

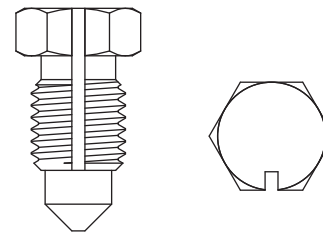
API MONOGRAMMABLE VERSIONS AVAILABLE

## Cavity Plugs



THREAD SIZE	MATERIAL	PART NO.	HEAT TREATMENT	PLATING
1" NPT	1215	CP1	---	Zinc
	316 SS	CP1-2	Annealed (NACE)	---
	4140	CP1-3	Rc 22 Max (NACE)	Zinc
3/4" NPT	1215	CP34	---	Zinc
	316 SS	CP34-2	Annealed (NACE)	---
	4140	CP34-3	Rc 22 Max (NACE)	Zinc
1/2" NPT	1215	CP12	---	Zinc
	316 SS	CP12-2	Annealed (NACE)	---
	4140	CP12-3	Rc 22 Max (NACE)	Zinc

## Packing Injection / Bleeder Plugs



THREAD SIZE	MATERIAL	PART NO.	HEAT TREATMENT	PLATING
7/8" - 9 UNC	1215	PIBP78	---	Zinc
	4140	PIBP78-3	Rc 22 Max (NACE)	Zinc
	17-4 pH	PIBP78-17	HH1150 (NACE)	---
1/2" - 13 UNC	1215	PIBP12	---	Zinc
	4140	PIBP12-3	Rc 22 Max (NACE)	Zinc
	17-4 pH	PIBP12-17	HH1150 (NACE)	---

PLEASE CONSULT FACTORY FOR PRODUCT AVAILABILITIES. Other materials, plating and configurations available upon request.

Willem Schoutenstraat 11 | 7825VV Emmen Nederland | T. +31 (0)591 676706 | F. +31 (0)591 676596 | E. info@jdttechnik.nl  
www.jdttechnik.nl | KvK 04086269 | BTW NL8179.27.803.B01 | IBAN NL27 RABO 0118 3377 26