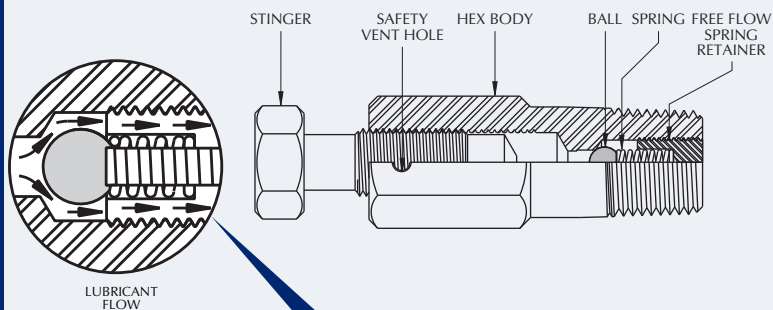


# featuring free flow design

## PACKING/BONNET INJECTION FITTINGS

The *Free Flow* design of the Body Grease Fitting has been incorporated into our Packing Injection Fittings. Compared to standard floating ball designs, the *Free Flow's* specially designed spring retainer allows even the heaviest of lubricants and/or sealant to flow freely through the Packing Injection Fitting.

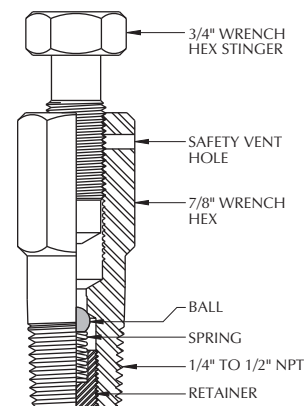
- **Positive back seating** is provided without relying on the presence of back pressure.
- **Guaranteed against "Blow Out"** when used within design limitations of the fitting. Excellent in extreme cold environments.
- **Meets latest revision of NACE** – no cold working of materials.



When the ball is off the seat, lubricant flows unrestricted around the spring and through the openings on the sides of the retainer.

### Free Flow Packing Injection Fittings

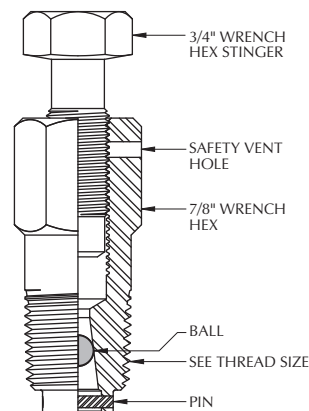
| THREAD SIZE | MATERIAL | PART NO.  | PLATING | HEAT TREATMENT   | BALL     | SPRING        |
|-------------|----------|-----------|---------|------------------|----------|---------------|
| 1/2" NPT    | 1215     | PF22N4-10 | Zinc    | ---              | **CA     | 302 SS        |
|             | 316 SS   | PF22N4-C0 | ---     | Annealed (NACE)  | K-Monel® | Inconel X-750 |
|             | 4140     | PF22N4-80 | Zinc    | Rc 22 Max (NACE) |          |               |
| 3/8" NPT    | 1215     | PF22N3-10 | Zinc    | ---              | **CA     | 302 SS        |
|             | 316 SS   | PF22N3-C0 | ---     | Annealed (NACE)  | K-Monel® | Inconel X-750 |
|             | 4140     | PF22N3-80 | Zinc    | Rc 22 Max (NACE) |          |               |
| 1/4" NPT    | 1215     | PF22N2-10 | Zinc    | ---              | **CA     | 302 SS        |
|             | 316 SS   | PF22N2-C0 | ---     | Annealed (NACE)  | K-Monel® | Inconel X-750 |
|             | 4140     | PF22N2-80 | Zinc    | Rc 22 Max (NACE) |          |               |



For Service to 10,000 PSI

### Packing Injection Fittings (Floating Ball-Taper Cavity)

| THREAD SIZE   | MATERIAL | PART NO.  | PLATING | HEAT TREATMENT   | BALL     |
|---------------|----------|-----------|---------|------------------|----------|
| 1/2" NPT      | 1215     | PF10N4-10 | Zinc    | ---              | **CA     |
|               | 316 SS   | PF10N4-C0 | ---     | Annealed (NACE)  | K-Monel® |
|               | 4140     | PF10N4-80 | Zinc    | Rc 22 Max (NACE) |          |
| 3/8" NPT      | 1215     | PF10N3-10 | Zinc    | ---              | **CA     |
|               | 316 SS   | PF10N3-C0 | ---     | Annealed (NACE)  | K-Monel® |
|               | 4140     | PF10N3-80 | Zinc    | Rc 22 Max (NACE) |          |
| 1/4" NPT      | 1215     | PF10N2-10 | Zinc    | ---              | **CA     |
|               | 316 SS   | PF10N2-C0 | ---     | Annealed (NACE)  | K-Monel® |
|               | 4140     | PF10N2-80 | Zinc    | Rc 22 Max (NACE) |          |
| 3/4" - 10 UNC | 1215     | PF13S6-10 | Zinc    | ---              | 302 SS   |
| 5/8" - 11 UNC | 1215     | PF12S5-10 | Zinc    | ---              | 302 SS   |



For Service to 10,000 PSI