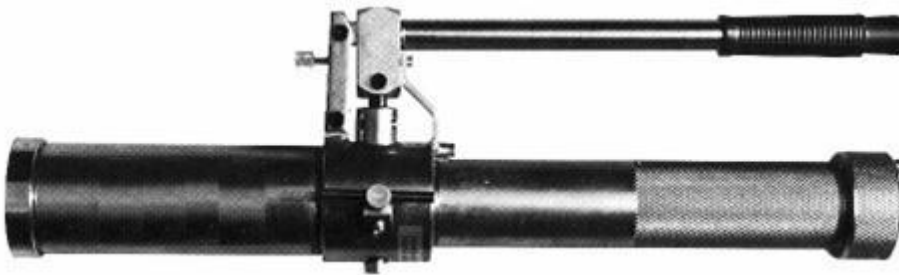


[Lubchem Model 1000 Hydraulic Hand Pump](#)

Description

The Lubchem 1000 Hydraulic Hand Pump exerts a maximum pressure of 10,000 psi. It is a durable self-priming pump that is easy to operate. This unit is equipped with a bypass valve that allows the user to relieve internal pressure at any time by turning the bypass valve counter clockwise one revolution.

As an added safety feature, the Lubchem model 1000 is equipped with an internal hydraulic relief valve. This feature provides maximum safety for the user by preventing over pressurization of the hydraulic system.



Hose Assembly (Part # 967801, sold separately)



Features

- Handle latch assembly - Prevents damage due to over extension of the piston.
- Graduated handle - One ounce marked handle to eliminate waste and provide greater accuracy during injection.
- **Warning** - Use only UCON-500 hydraulic fluid or equal in this pump.
- Lubricant stick size - J
- Grease delivery - 1 ounce per 40 strokes
- Hose assembly - included
- Pressure rating - 10,000 psi
- 15,000 psi gauge included
- Total weight - 13 lbs.

Repair and Exchange

Lubchem offers reconditioning and repair of all types of hydraulic hand guns. Simply send the gun to us and we will promptly respond with an estimate for the repair charges. Estimates are provided at no cost to you. Normally, the gun is returned to you within one week of your approval for the repairs.

Replacement parts and repair kits are available upon request.

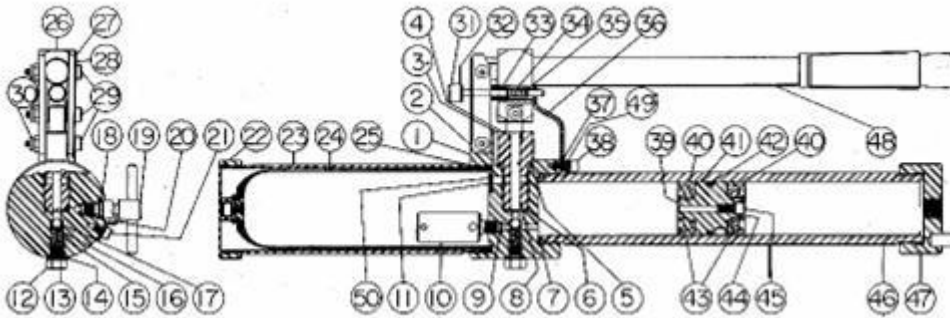
Part Numbers

When ordering, use the following part numbers:

- Model 1000 Hydraulic Hand Pump - part number 900011
- Hose assembly - part number 967801

Diagram

See the table below for a description of each numbered item on this diagram:



Item	Part Number	Description
1	908701	Body Assembly
2	928701	Body
3*	948701	Cylinder
4*	924801	O-Ring
5*	988701	O-Ring
6*	962601	O-Ring
7*	911801	O-Ring
8*	958701	Plunger
9*	970801	O-Ring
10*	950801	Internal Relief Valve
11*	956801	Filter Assembly
12	909701	Check Valve Assembly
13	998701	Check Valve Screw
14	919701	Washer
15	939701	Filter Screen
16	929701	Spring
17	918601	Ball
18*	984001	O-Ring
19	959701	By-pass Valve
20	979701	Stem Retainer
21	989701	Cap Screw
22	932801	Fluid Bag Barrel Cap
23	922801	Fluid Bag Barrel
24	902801	Fluid Bag Bleeder Assembly
25	982801	Fluid Bag Seal Ring
26	927701	Fulcrum Assembly
27	918701	Link Assembly
28	977701	Link
29	979701	Stripper Bolt
30	987701	Lock Nut



TECHNIEK

POMPEN & APPENDAGES

31	903801	Latch Assembly
32	953801	Stem & Knob Assembly
33	933801	Latch Screw
34	973801	Internal Latch Spring
35	993801	Retainer Ring
36	913801	Latch Arm
37	923801	Latch Sleeve
38	983801	Cap Screw
39	901801	Piston Assembly
40*	912801	Leather Cup
41	951801	Piston
42*	981801	O-Ring
43	991801	Washer Nut
44*	971801	Washer
45	961801	Cap Screw
46	921801	Grease Barrel
47	931801	Grease Barrel Cap
48	967701	Handle
49	934801	Latch Spring External
50	980801	Filter Screen
*	904901	Repair Kit